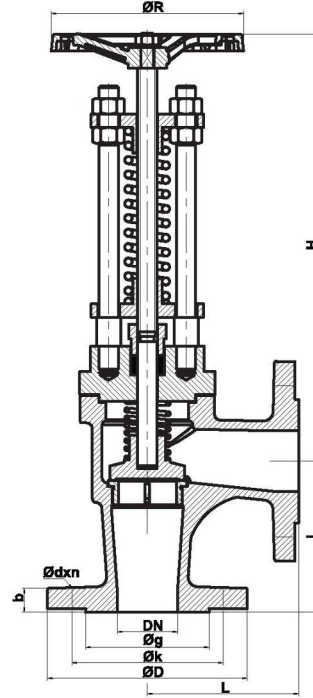


## Yaylı Dış Şarj Vanası(Gönye Tip) Overboard Valve Outside Spring Loaded(Angle Type)



NO	PARÇA ADI	PART NAME	MATERIAL
1	GÖVDE	BODY	GGG40.3
2	SİT	SEAT	Alu-Bronze
3	MİL	STEM	AISI 420
4	KAPAK	BONNET	GGG40.3
5	KLAPE	DISC	RG5
6	CONTA	GASKET	KLINGRIT
7	SALMASTRA	PACKING	GRAPHITE
8	GLEN	GLAND	GGG40.3
9	T CİVATA	T BOLT	6.8 STEEL

NO	PARÇA ADI	PART NAME	MATERIAL
10	YAY	SPRING	SPRING STEEL C
11	CİVATA	BOLT	8.8 STEEL
12	YAY YATAĞI	BEARING	GGG40.3 / RG5
13	SAPLAMA	STUDS	1040 STEEL
14	YAY	SPRING	SPRING STEEL C
15	SOMUN	NUT	6.8 STEEL
16	YAY BASKI GLENİ	SPRING PRESS GLAND	GGG40.3 / RG5
17	HENDİL	HANDWHEEL	GG25
18	SOMUN & PUL	NUT & WASHER	6.8 STEEL

DN	ØD	Øk	Øg	L	b	ØR	H	STROK	Ødxn	KG
15	95	85	45	90	14	110	240	9	14x4	6
20	105	75	58	95	16	110	240	9	14x4	6,5
25	115	85	68	100	16	110	250	12	14x4	8
32	140	100	78	105	18	140	270	13	18x4	9,5
40	150	110	88	115	18	140	300	15	18x4	12
50	165	125	102	125	20	160	360	20	18x4	15
65	185	145	122	145	20	160	390	22	18x4	20
80	200	160	138	155	22	200	410	25	18x8	27
100	220	180	158	175	24	220	440	30	18x8	38
125	250	210	188	200	26	250	525	34	18x8	63
150	285	240	212	225	26	300	525	42	22x8	80
200	340	295	268	275	30	400	730	55	22x12	136
250	405	355	320	325	32	520	915	65	26x12	186
300	460	410	370	375	32	520	935	78	26x12	288

### UYGULAMA ALANLARI / APPLICATIONS

DENİZ SUYU VE TATLI SU / SEA WATER AND FRESH WATER  
ÇALIŞMA ŞARTLARI / WORKING CONDITIONS : DIN 2401  
BAĞLANTILAR / ENDS DIN 1092-2

ÇALIŞMA SICAKLIĞI / WORKING TEMP -10 / +180 °C  
ÇALIŞMA BASINCI / WORKING PRESSURE: PN16  
FACE TO FACE DIMENSIONS TS EN 558-1